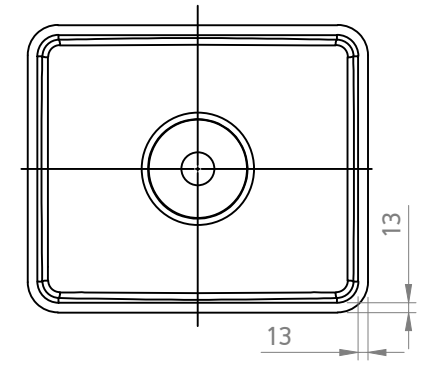



Bottom view 1:10



| | | | |
|---|------|-----------------|--------------------------|
|  | | Name: | KENDALL 45x38 |
| | | Item NR.: | 6 301 01 05 10 18 |
| Weight: | 9 kg | Visible height: | 10 cm |
| | | Scale: | 1:5 |