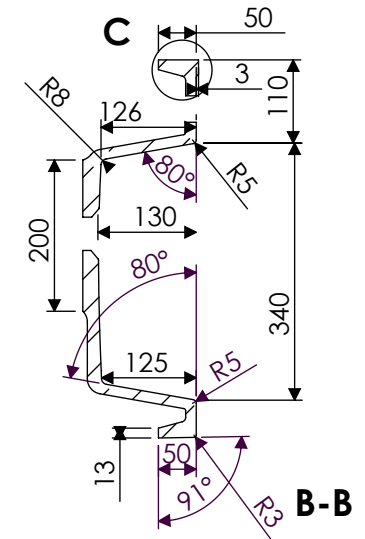
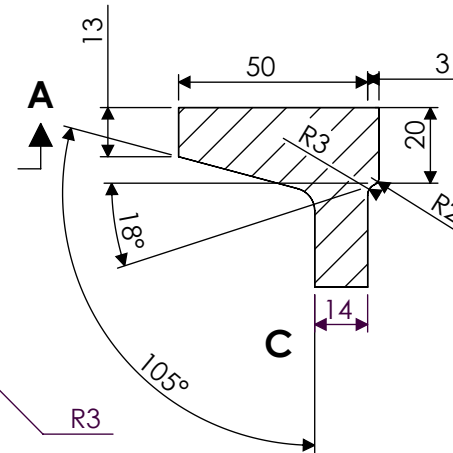
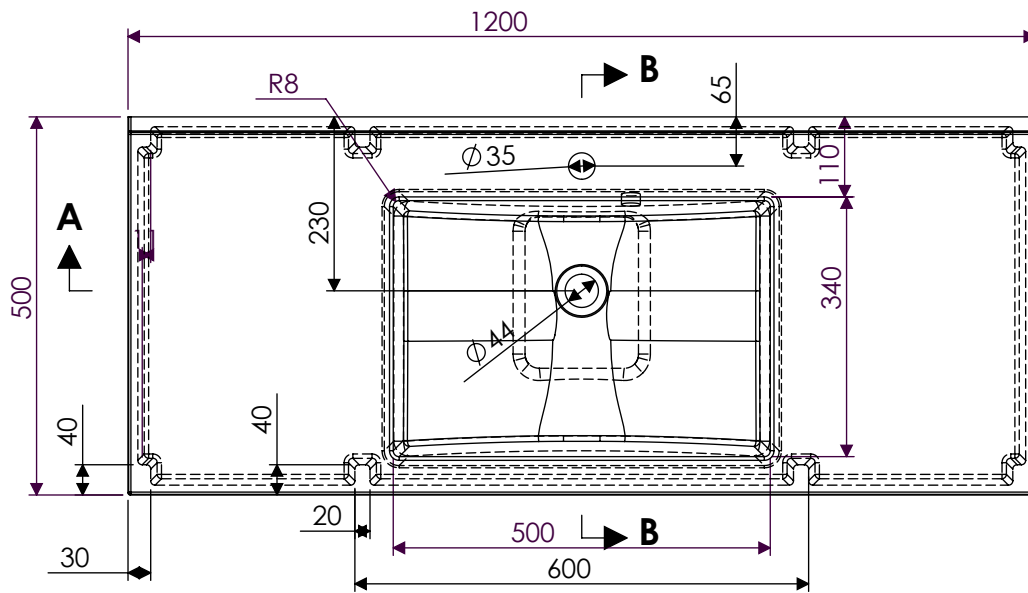
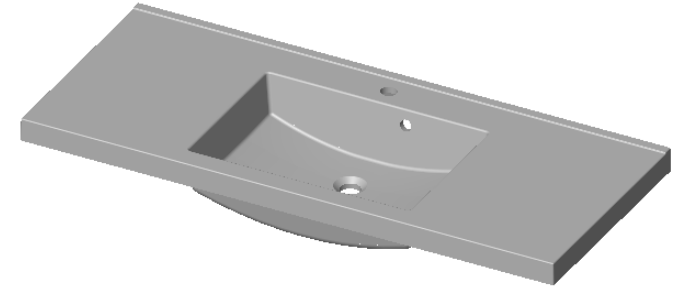
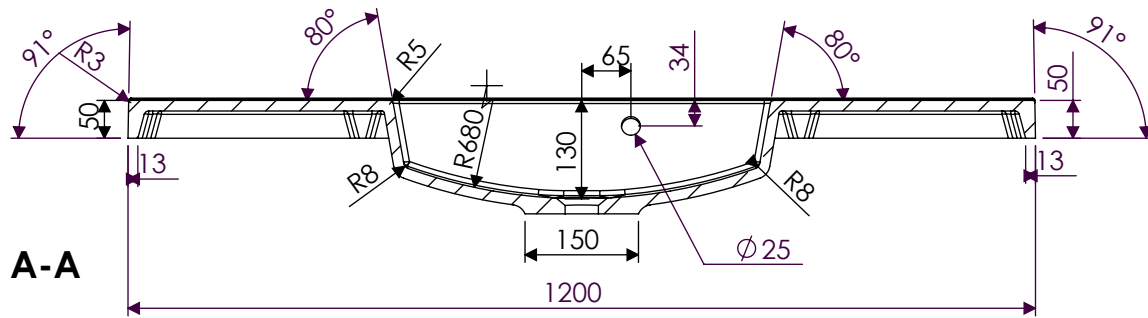


PROPRIETARY AND CONFIDENTIAL
 THE INFORMATION CONTAINED IN THIS DRAWING IS THE SOLE PROPERTY OF MUSCLE MACHINE AB.
 ANY REPRODUCTION IN PART OR AS A WHOLE WITHOUT THE WRITTEN PERMISSION OF MUSCLE MACHINE AB IS PROHIBITED.



Tolerance length	+3/-0 mm	Ritad	DR	Konstr	DR	Skala	1:20	070425	MARMITE	Filenamn	1030121		
Tolerance length granite	+1,5/-1,5 mm	<div style="display: flex; align-items: center; justify-content: center;"> <div style="text-align: center;"> <p>JOSEFINE 1200C</p> <p>1030121xx</p> </div> </div>								Ersätter			
Tolerance taphole location	+3/-3 mm									Revision		Revdato	
Tolerance overflowhole location	+3/-3 mm									Ritning		1:4	
Tolerance plane bending	+1,5/-1,5 mm												