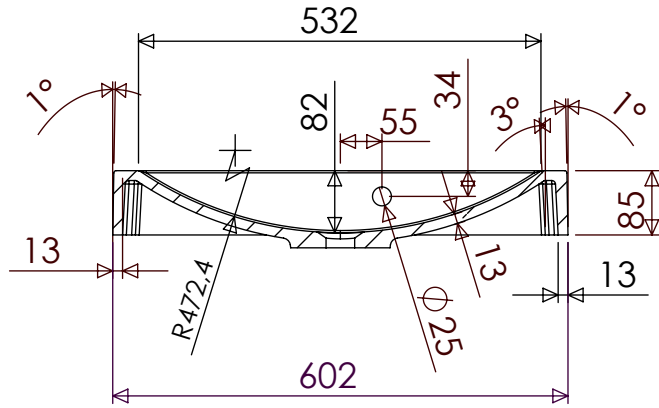
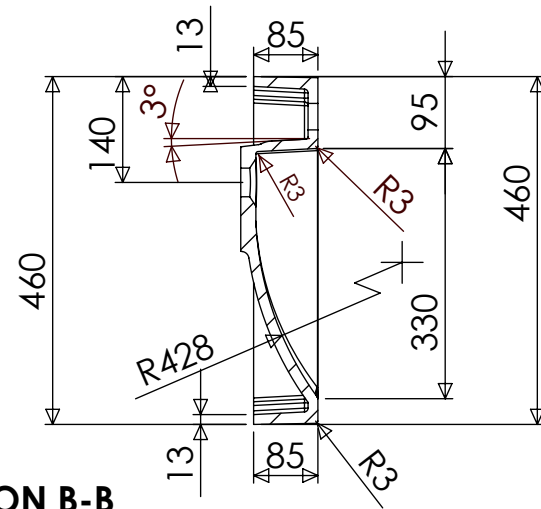
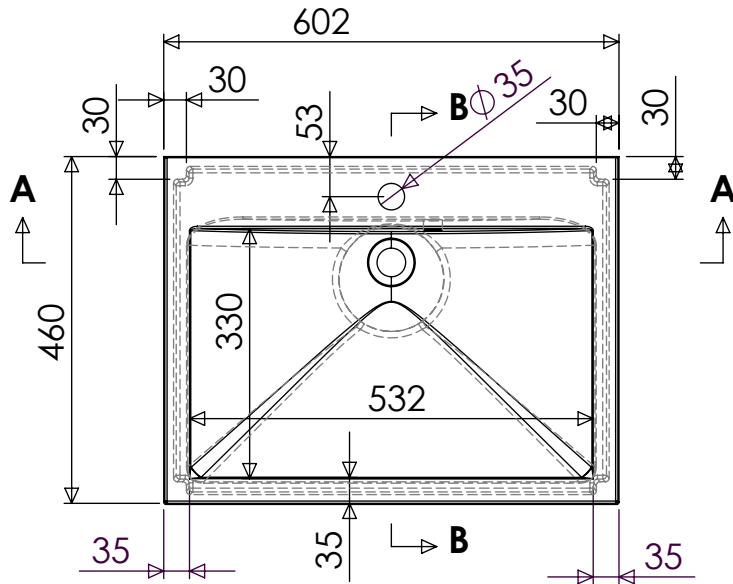
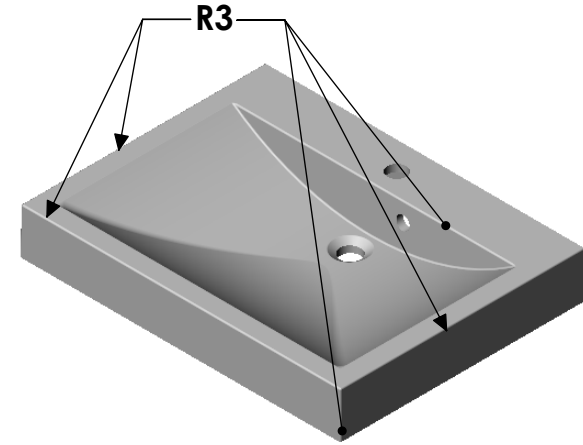



PROPRIETARY AND CONFIDENTIAL
 THE INFORMATION CONTAINED IN THIS DRAWING IS THE SOLE PROPERTY OF MUSCLE MACHINE AB.
 ANY REPRODUCTION IN PART OR AS A WHOLE WITHOUT THE WRITTEN PERMISSION OF MUSCLE MACHINE AB IS PROHIBITED.



SECTION A-A



SECTION B-B

Tolerance length	+3/-0 mm	DR	DR	Skidja 1:5	060503 MARMITE	602	
Tolerance length granite	+1,5/-1,5 mm					CATRINE 602 C 1003061xx 602 x 460	ErsÖtter
Tolerance taphole location	+3/-3 mm						1:2
Variation overflowhole location	+3/-3 mm						
Tolerance plane bending	+1,5/-1,5 mm						