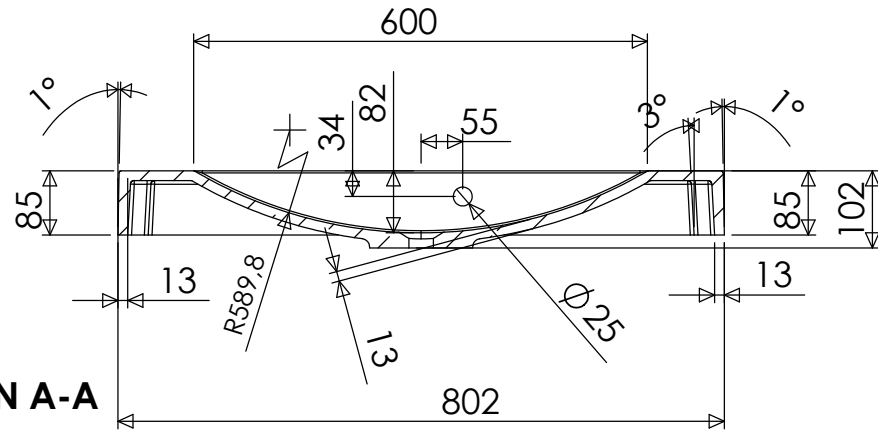
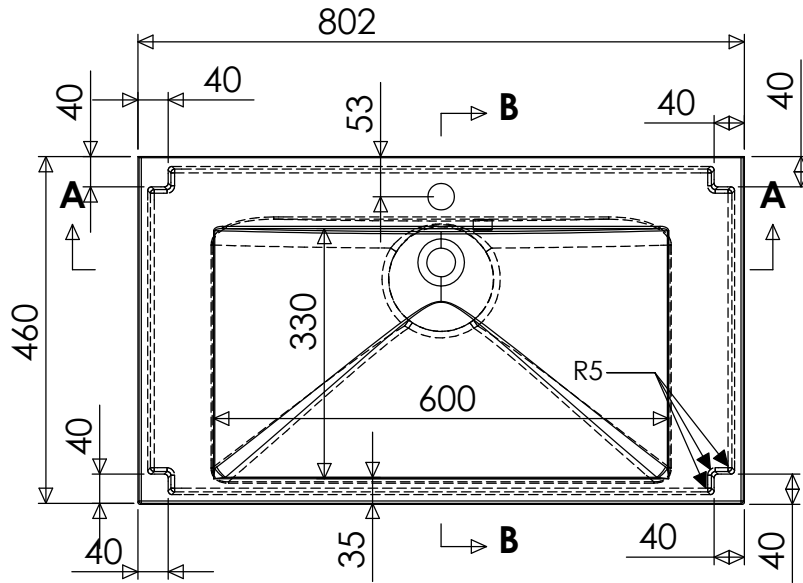


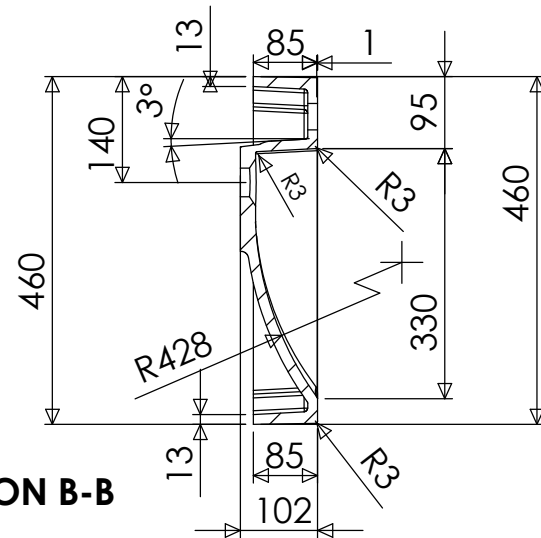
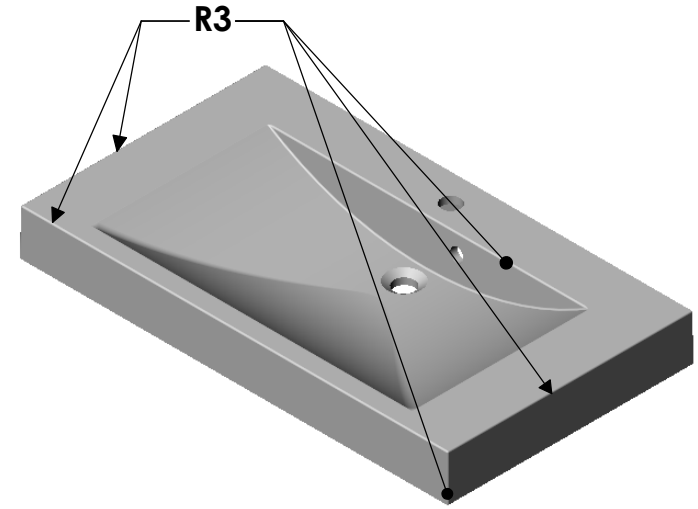
PROPRIETARY AND CONFIDENTIAL
 THE INFORMATION CONTAINED IN THIS DRAWING IS THE SOLE PROPERTY OF MUSCLE MACHINE AB.
 ANY REPRODUCTION IN PART OR AS A WHOLE WITHOUT THE WRITTEN PERMISSION OF MUSCLE MACHINE AB IS PROHIBITED.




SECTION A-A



SECTION B-B



Tolerance length	+3/-0 mm	DR	DR	Skida 1:5	041111 CATRINE	802
Tolerance length granite	+1,5/-1,5 mm			CATRINE 802 C 1003081xx 802 x 460		ErstHer
Tolerance taphole location	+1/-1 mm					Ritning
Variation overflowhole location	+1/-1 mm					1:5
Tolerance plane bending	+1,5/-1,5 mm					