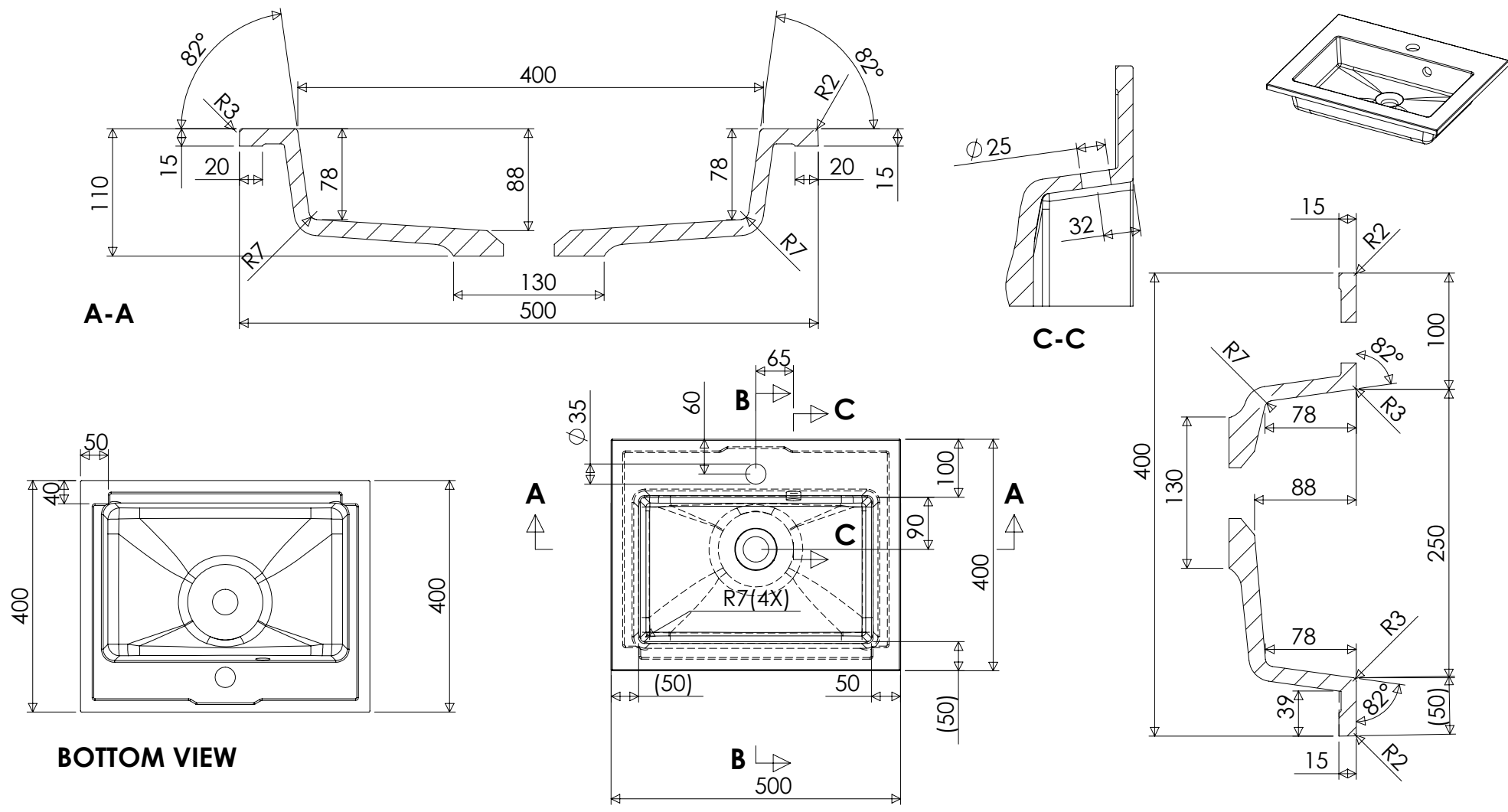



PROPRIETARY AND CONFIDENTIAL
 THE INFORMATION CONTAINED IN THIS DRAWING IS THE SOLE PROPERTY OF MUSCLE MACHINE AB.
 ANY REPRODUCTION IN PART OR AS A WHOLE WITHOUT THE WRITTEN PERMISSION OF MUSCLE MACHINE AB IS PROHIBITED.



B-B

Tolerance length	+3/-0 mm	Ritad	DR	Konstr	DR	Skala	1:10	090921	MARMITE	Filenamn	6010930511					
Tolerance length granite	+1,5/-1,5 mm									POLLY 500C 6010930511xx 500 x 400 / 15			ErsÖtter			
Tolerance taphole location	+3/-3 mm												Revision		Revdatt	
Tolerance overflowhole location	+3/-3 mm												Ritning			1:4
Tolerance plane bending	+1,5/-1,5 mm															