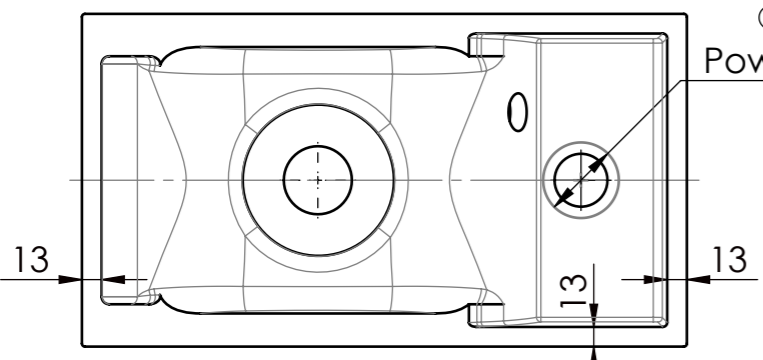


Bottom view/
Widok od dołu

Ø 50 Flat area/
Powierzchnia płaska



Tolerance length	+3/-0 mm
Tolerance length granite	+1.5/-1.5 mm
Tolerance Taphole Location	+3/-3 mm
Tolerance overflowhole Location	+3/-3 mm
Tolerance plane bending	+1.5/-1.5 mm

Drawn by	Created Date	Checked by
Project status	Client	

Art. Name:		Art. No: 6000570401xx	
Customer ID: STD		Material volume(mm³)	
Yes	1	Overflow	Tophole
Surface area(mm²)		Sheet Size	Scale
A3		1:2	
Main dimensions L x W / H (mm)		Drain	
400 x 220 / 120		Regular	
Current revision		001	