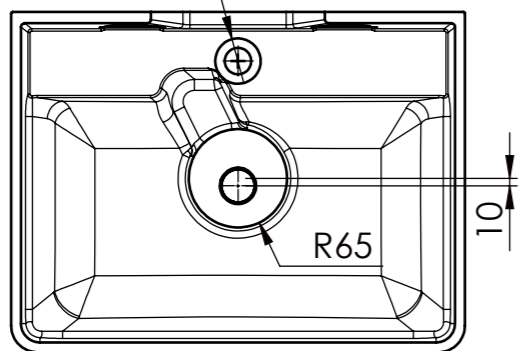


Bottom view/
Widok od dołu

Ø 60 Flat area/
Powierzchnia płaska



| | | | | | | | | | | |
|--------------------------|--------------|----------|----------------|--------------|------------------|-----------------------|------------|---------|--------------------------------|------------------|
| Tolerance total | length | +3/0 mm | Drawn by | Created Date | Checked by | Art. Name: | | | | |
| | width | +2/0 mm | Project status | Client | Art. No: | | | | | |
| | height | +2/-2 mm | | | Customer ID: STD | | | | | |
| Tol. height side walls | ≤25 mm | +1/-1 mm | | | | Material volume [mm³] | Overflow | Taphole | Main dimensions L x W / H [mm] | Drain |
| | >25 mm | +2/-2 mm | | | | Surface area [mm²] | Sheet Size | Scale | 1:5 | Current revision |
| Tolerance holes location | +2/-2 mm | | | | | | | | | |
| Tolerance plane bending | +1,5/-1,5 mm | | | | | | | | | |