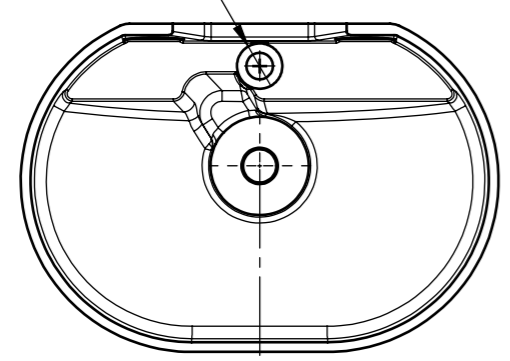


Bottom view/
Widok od dołu

Ø 60 Flat area/
Powierzchnia płaska



Tolerance total	length	+3/0 mm	Drawn by	Created Date	Checked by	Art. Name:
	width	+2/0 mm	Project status	Client		
Tol. height side walls	height	+2/-2 mm				
	≤25 mm	+1/-1 mm	Material volume(mm³)	Overflow	Taphole	Main dimensions L x W / H (mm)
>25 mm	+2/-2 mm	Surface area(mm²)				
Tolerance holes location	+2/-2 mm		632 x 434 / 157			
Tolerance plane bending	+1,5/-1,5 mm	A3		1:5		