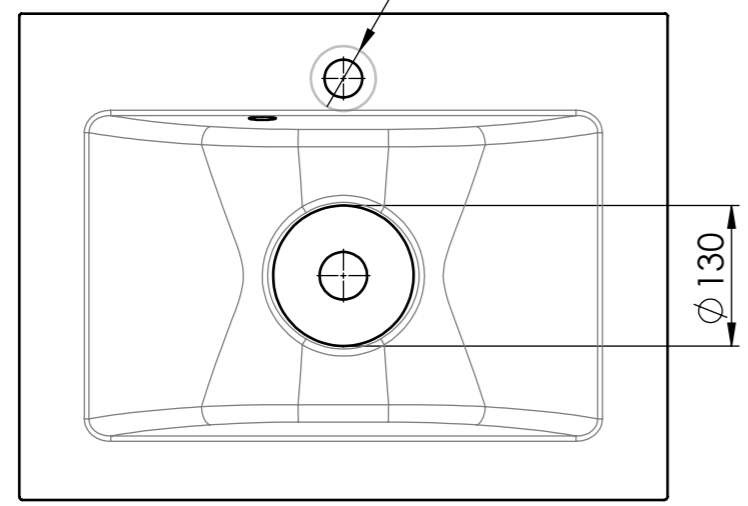


Bottom view/
Widok od dołu



Tolerance total	length	+3/0 mm	Drawn by	Created Date	Checked by	Art. Name:				
	width	+2/0 mm								
	height	+2/-2 mm	Project status	Client						
Tol. height side walls	≤25 mm	+1/-1 mm								
	>25 mm	+2/-2 mm	Material volume [mm³]		Overflow	Yes	1	Main dimensions L x W / H [mm]	600 x 450 / 150	Drain
Tolerance holes location	+2/-2 mm		Surface area [mm²]		Sheet Size	Scale		Current revision		001
Tolerance holes diameter	+1/-1 mm									
Tolerance plane bending	+1,5/-1,5 mm									