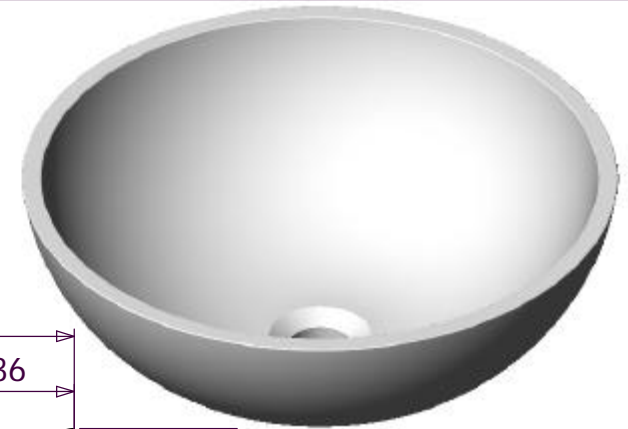
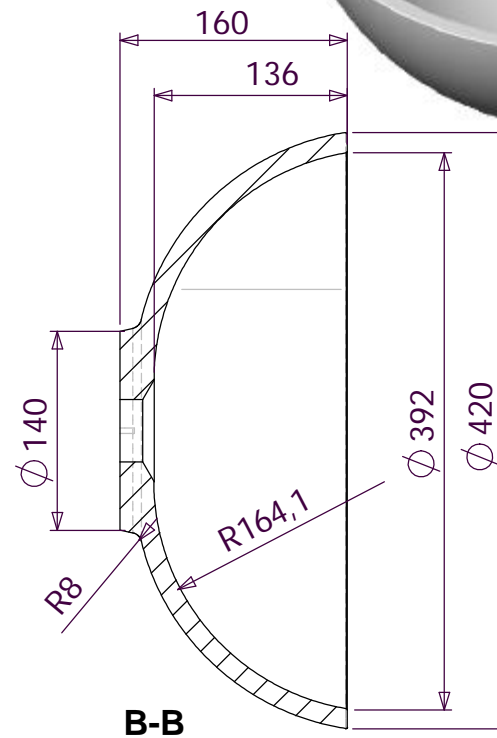


Hål diam 4 x 15(2x) plåtskruv 4,8x25
 Otwor diam 4 x 15 (2x) Wkret 4,8 x 25



Tolerance length	+3/-0 mm	DR	DR	Skala 1:5	021205	Marmite	420c
Tolerance length granite	+1,5/-1,5 mm					Marmite MONA 420c	Erstat
Tolerance taphole location	+1/-1 mm						
Variation overflowhole location	+1/-1 mm					1142041xx	Ritning
Tolerance plane bending	+1,5/-1,5 mm						1:5