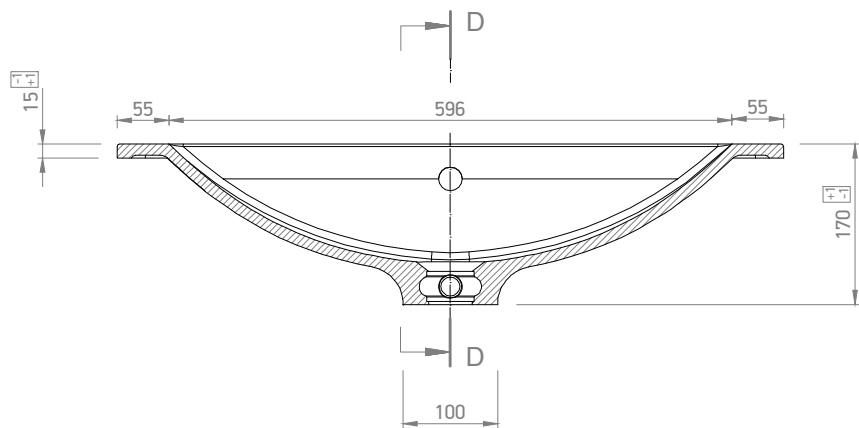
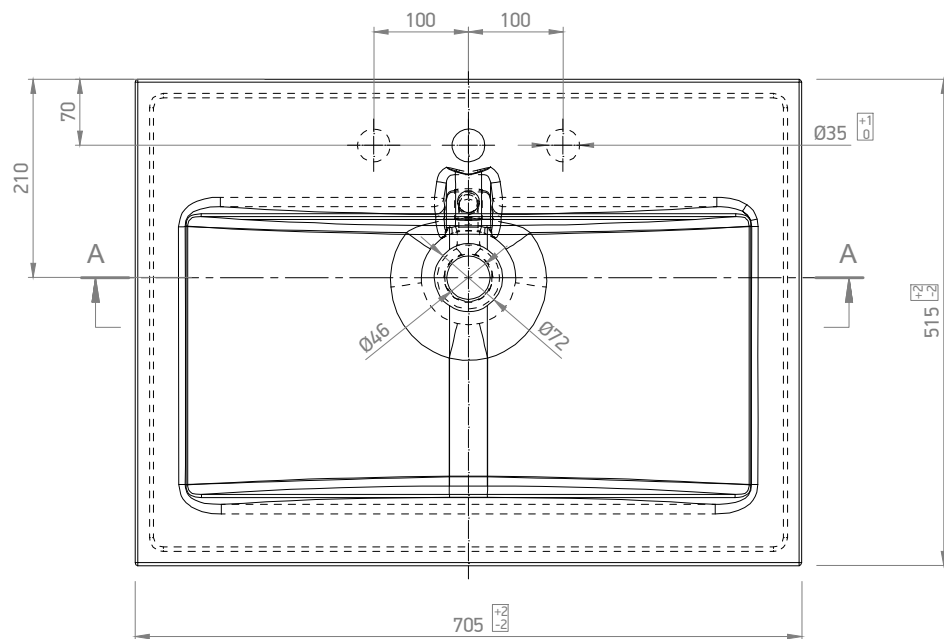
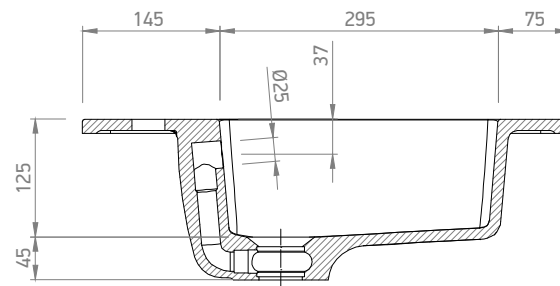


A-A



B-B



|   |                 |                           |
|---|-----------------|---------------------------|
|  |                 | Name:                     |
|   |                 | <b>LISETTE PLUS 70x51</b> |
| <b>MARMY</b>  |                 | Item NR.:                 |
|   |                 | <b>80 6832 07 11 10</b>   |
| Weight:   | Visible height: | Scale:                    |
| <b>13 kg</b>  | <b>1,5 cm</b>   | <b>1:8</b>                |

[www.marmy.eu](http://www.marmy.eu)