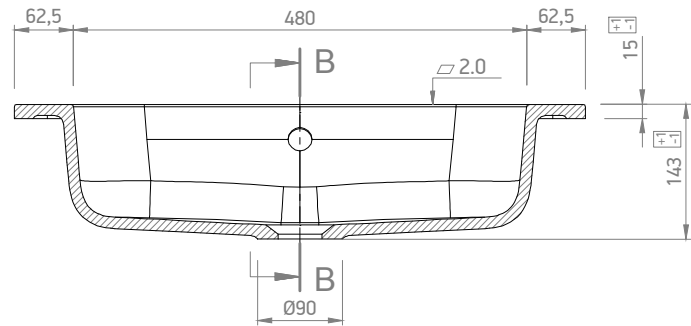
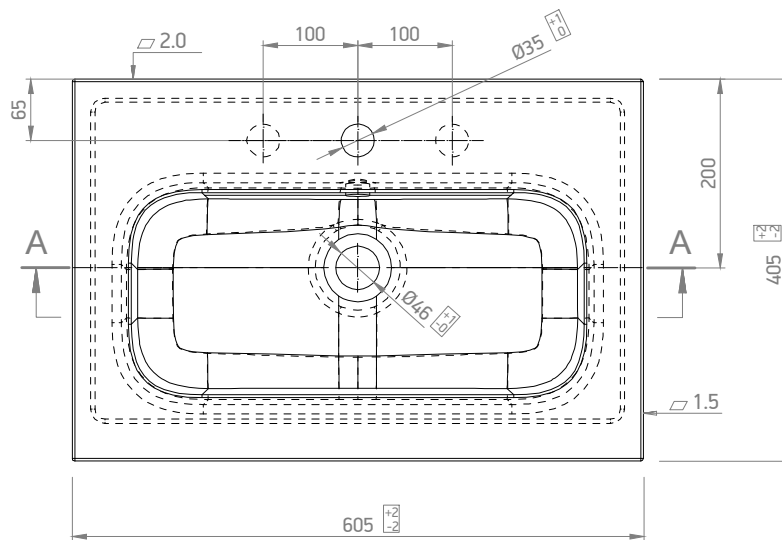
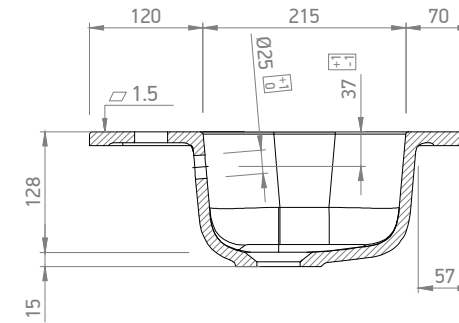



A-A



B-B



	Name:	
	<b>CALVIN ECO 60x40</b>	
<b>MARMY</b> <a href="http://www.marmy.eu">www.marmy.eu</a>	Item NR.:	
	<b>80 6886 06 11 10</b>	
Weight:	Visible height:	Scale:
<b>10 kg</b>	<b>1,5 cm</b>	<b>1:8</b>