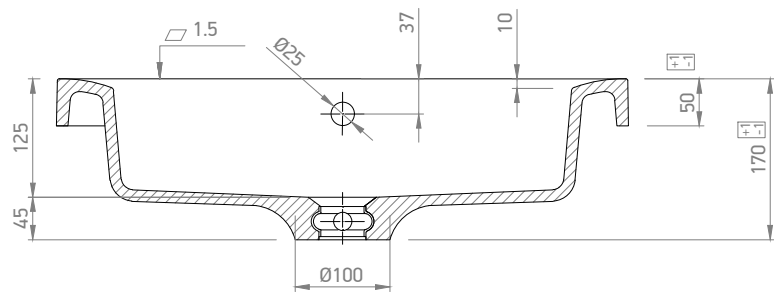
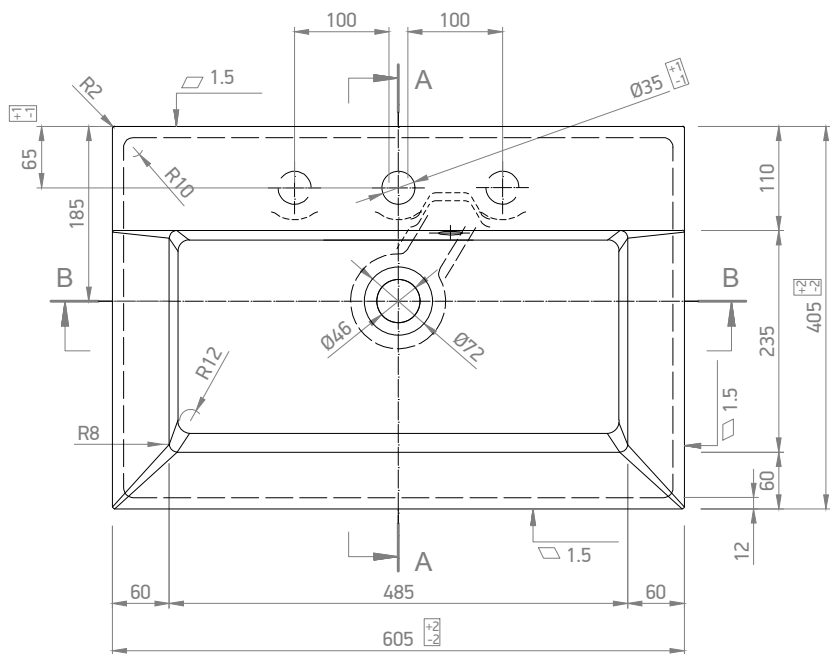
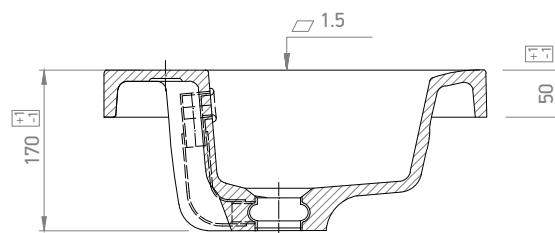



B-B



A-A



		Name:
		<b>MAGNUM ECO 60x40</b>
<b>MARMY</b>		Item NR.:
		<b>80 6754 06 11 10</b>
Weight:	Visible height:	Scale:
13 kg	5 cm	1:8

[www.marmy.eu](http://www.marmy.eu)