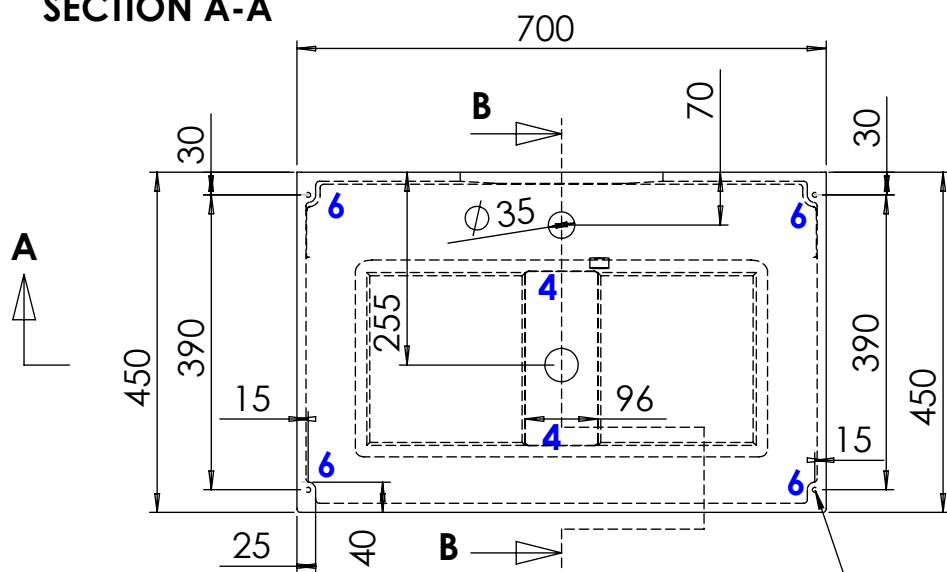
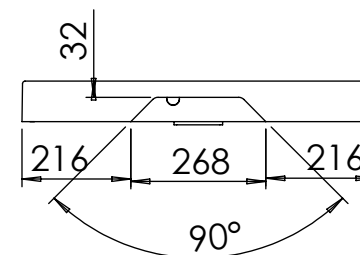
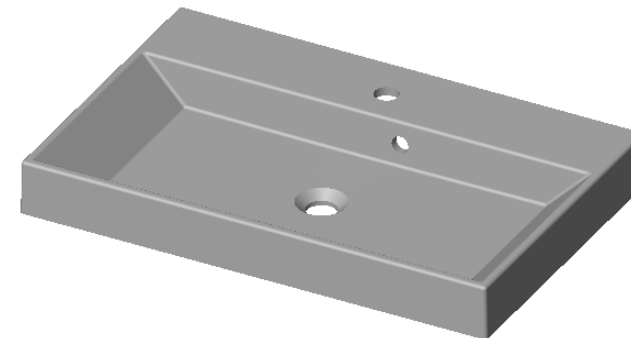
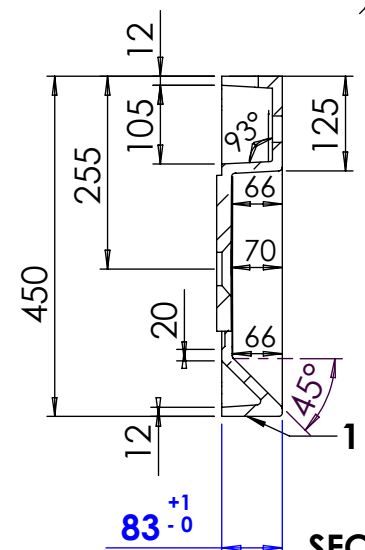


SECTION A-A



Ø 6,5 x 14 (4x)



SECTION B-B

Tolerance length	+3/-0 mm	Ritad	DR	Konstr	DR	Skala	1:20	080219	HUNGARY	Finamnr	A1827071		
Tolerance length granite	+1,5/-1,5 mm									Ersötter			
Tolerance taphole location	+3/-3 mm									Revision		Revdat	
Thickness edge	+1,5/-0 mm									Ritning		1:16	
Tolerance plane bending	+1,5/-1,5 mm												
CORTONA 700 C A1827071xx													