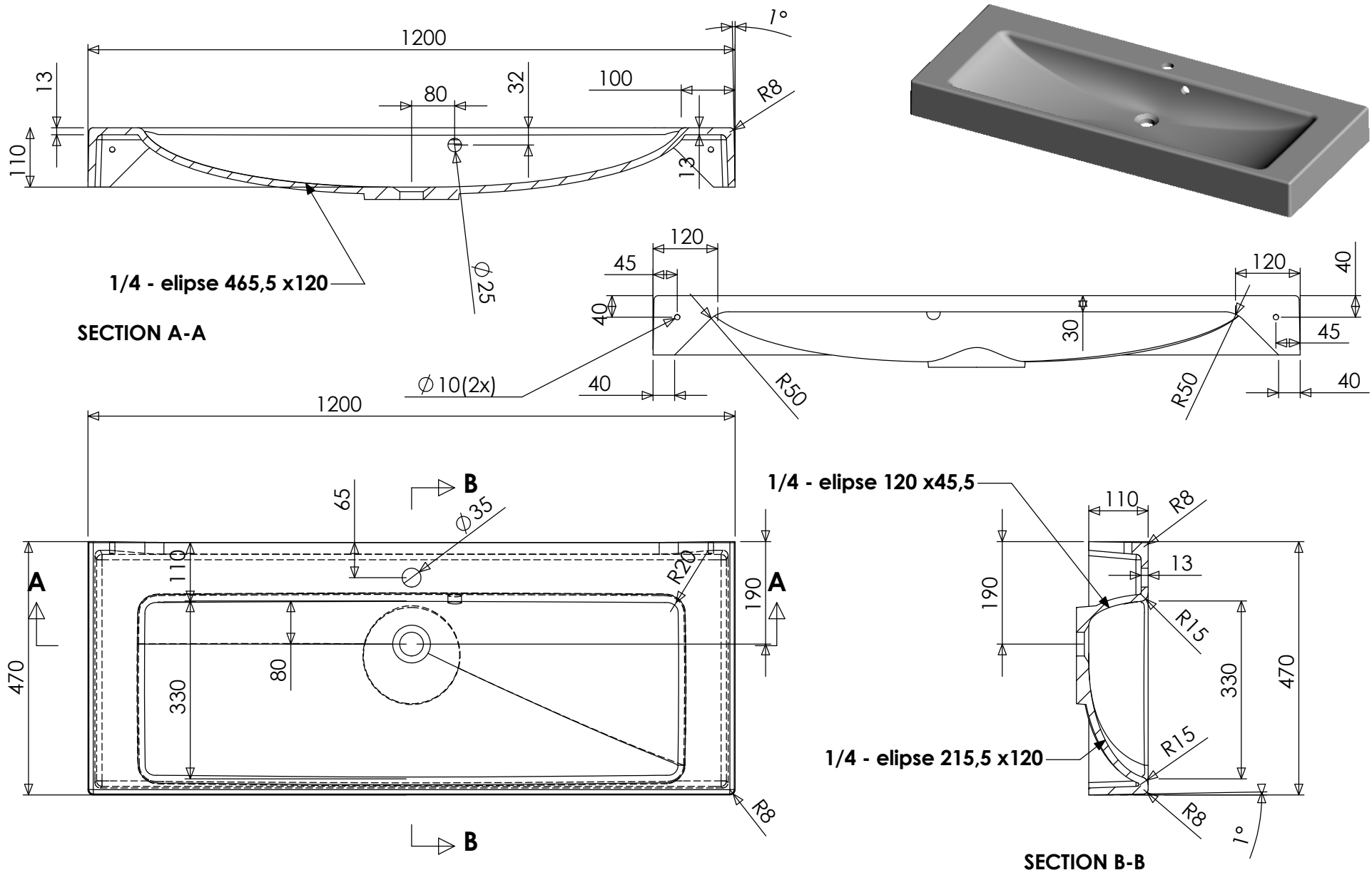


ANY REPRODUCTION IN PART OR AS A WHOLE WITHOUT THE WRITTEN PERMISSION OF MUSCLE MACHINE AB. THE INFORMATION CONTAINED IN THIS DRAWING IS THE SOLE PROPERTY OF MUSCLE MACHINE AB.



Tolerance length	+3/-0 mm	DALLE	DR	041215	SCALE-1:10	MARMITE	1200c
Tolerance length granite	+1,5/-1,5 mm	Muscle Machine AB		marmite [®]	MARMITE NICOLE 1200C		
Tolerance taphole location	+1/-1 mm				1012121xx		
Variation overflowhole location	+1/-1 mm						1:6
Tolerance plane bending	+1,5/-1,5 mm						